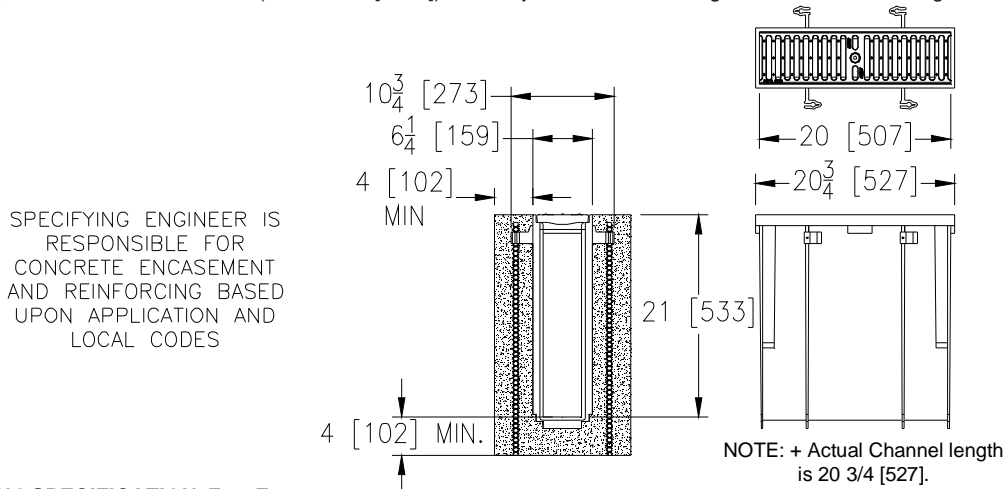


6-1/4 [159] WIDE REVEAL x 20-3/4 [527] LONG CATCH BASIN

TAG _____

Dimensional Data (inches and [mm]) are Subject to Manufacturing Tolerances and Change Without Notice



ENGINEERING SPECIFICATION: Zurn Z887-6

Catch Basin shall be 6-1/4 [159] wide reveal x 20-3/4 [527] long, and 20 [508] deep. The body shall be made of 0% water absorbent High Density Polyethylene (HDPE). Shall mechanically lock into the concrete surround a minimum of every 10 [254]. Catch basin shall weigh less than 17 bs. [7.7kg] per linear foot. Catch basin shall have rebar clips standard to secure basin in its final location. Shall be provided with standard DGC grates that lock down with lockdown bars to the basin and is not intended for dynamic traffic loadings. Zurn 6 [152] wide reveal Ductile Iron Slotted Grate conforming to ASTM specification A536-84, Grade 80-55-06. Ductile Iron grate is rated class C per the DIN EN1433 top load classifications. Supplied in 20 [508] nominal lengths with 1/2 [13] wide slots, and 3/4 [19] bearing depth. Grate has an open area of 18.57 sq. in. per ft. [39,307 sq. mm per meter].

PREFIX OPTIONS (Check/specify appropriate options)

___ Z 6" X 20" High Density Polyethylene (HDPE) Catch Basin*

SUFFIX OPTIONS (Check/specify appropriate options)

Adapters

___ -E3/U3	3 [76] No-Hub End/Bottom Outlet Adapter	___ -IA	Inlet Adapter (Z886)
___ -E4/U4	4 [102] No-Hub End/Bottom Outlet Adapter	___ -IA	Inlet Adapter (Z882)
___ -E6/U6	6 [152] No-Hub End/Bottom Outlet Adapter		

Grate Options (Load Classifications are per DIN EN1433)

___ -BDC	Black Acid Resistant Epoxy Coated Ductile Grate - Class C
___ -BG	Galvanized Ductile Iron Bar Grate - Class C
___ -DBG	Ductile Iron Cast Bar Grate - Class C
___ -DC	Ductile Iron Solid Cover - Class C
___ -DGC	Ductile Iron Slotted Grate - Class C *
___ -GDC	Galvanized Ductile Slotted Grate - Class C
___ -GG	Fiberglass Grate - Class A
___ -GHPD	Galvanized Heel-Proof Ductile Grate - Class B
___ -HPD	Heel-Proof Ductile Slotted Grate - Class B
___ -HPP	Heel-Proof Polyethylene Grate - Class A
___ -LD	Longitudinal Ductile ADA Grate - Class B
___ -RFGC	Reinforced Slotted Galvanized Grate - Class C
___ -RFSC	Reinforced Slotted Stainless Steel Grate - Class C
___ -RPGC	Reinforced Perforated Galvanized Grate - Class C
___ -RPGRC	Reinforced Galvanized Perforated Reverse Punch Anti-Slip Grate - Class C
___ -RPSC	Reinforced Perforated Stainless Steel Grate - Class C
___ -RPSRC	Reinforced Perforated Stainless Steel Reverse Punch Grate - Class C

MADE in the U.S.A. (Load Classifications are per DIN EN1433)

___ -AWG	Aluminum Wire Grate - Class A
___ -DGC-USA	Ductile Iron Slotted Grate - Class C (Substitute DGE-USA)
___ -FG	Fabricated Galvanized Steel Slotted Grate - Class A
___ -FS	Fabricated Stainless Steel Slotted Grate - Class A
___ -GDC-USA	Galvanized Ductile Slotted Grate - Class C
___ -GG	Fiberglass Grate - Class A
___ -PG	Perforated Galvanized Steel Grate - Class A
___ -PGR	Galvanized Perforated Reverse Punch Anti-Slip ADA Grate - Class A
___ -PPC	Plastic Perforated Grate - Class C
___ -PS	Perforated Stainless Steel Grate - Class A
___ -SC	Fabricated Stainless Steel Solid Cover - Class A

Decorative MADE in the U.S.A. (Load Classifications are per DIN EN1433)

___ -BZ	Bronze Decorative Grate - Class A
___ -NBZ	Nickel Bronze Decorative Grate - Class A
___ -PSR	Perforated Stainless Steel Raised Grate - Class A
___ -SWG	Stainless Steel Wire Grate - Class A

Decorative Grate Options (Load Classifications are per DIN EN1433)

___ -BCD	Bronze Circular Decorative Grate - Class A
___ -BDD	Bronze Diagonal Decorative Grate - Class A
___ -DCD	Ductile Iron Circular Decorative Grate - Class C
___ -DDD	Ductile Iron Diagonal Decorative Grate - Class A
___ -DOG	Ductile Iron Decorative Grate - Class A
___ -DTW	Ductile Iron Tidal Wave Grate - Class C
___ -DWV	Ductile Wave Decorative Grate - Class A
___ -GMG	Galvanized Steel Mesh Grate - Class A
___ -HPB	Heel-Proof Bronze Slotted Grate - Class A
___ -HPS	Heel-Proof Stainless Steel Slotted Grate - Class A
___ -SCD	Stainless Steel Circular Decorative Grate - Class B
___ -SDD	Stainless Steel Diagonal Decorative Grate - Class B
___ -SMG	Stainless Steel Mesh Grate - Class A
___ -SOG	Stainless Steel Decorative Grate - Class B

Miscellaneous Options

___ -CBF	Black Acid Resistant Coated Frame
___ -GFA	Galvanized Extra Heavy-Duty Frame Assy. w/ Studs
___ -HD	Extra Heavy-Duty Frame Assembly w/ Anchor Studs
___ -SF	Type 304 Stainless Steel Top Frame
___ -Y	Sediment Bucket

Supplied By:

**TRENCHDRAIN
SUPPLY**

877-903-7246

www.trenchdrainsupply.com

* Regularly furnished unless otherwise specified.